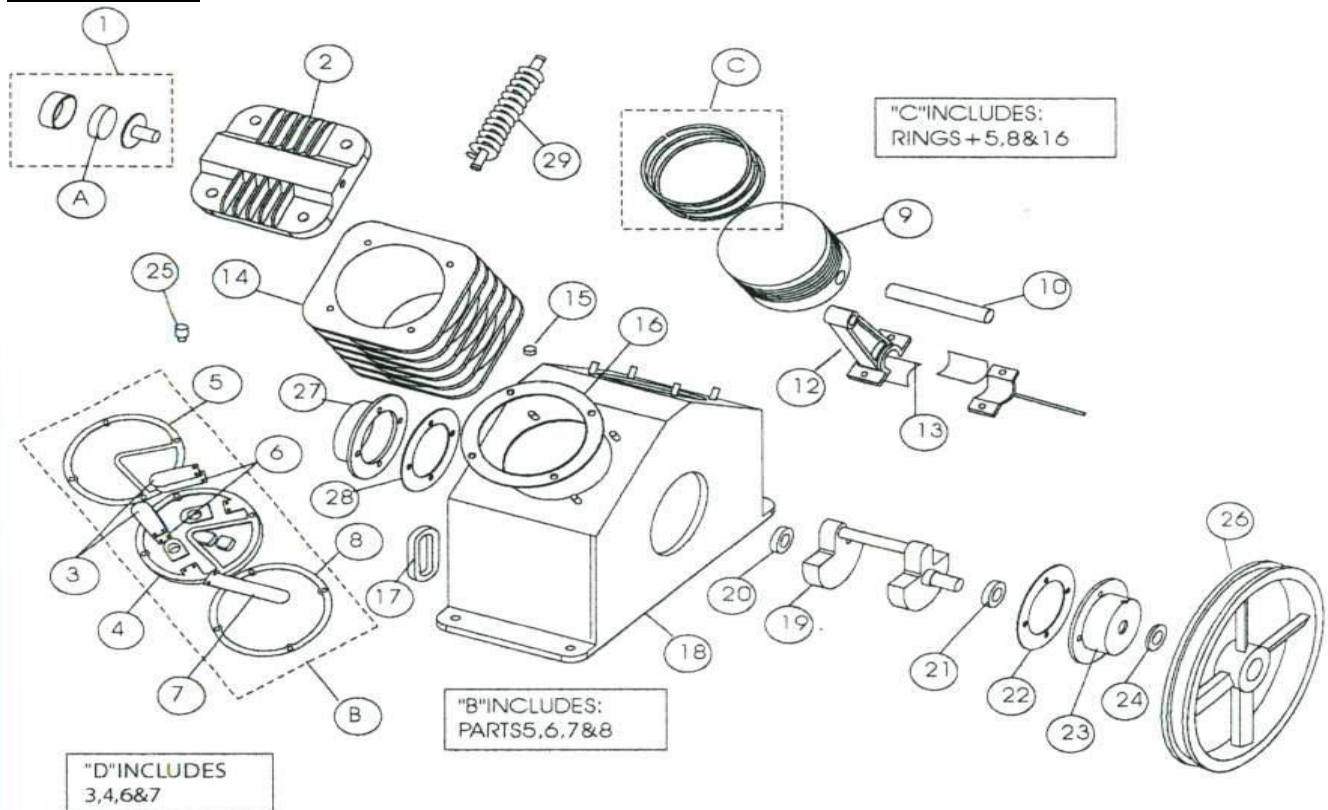


Eagle Compressor breakdown sheet - HPV05A

March 28, 2006

Item	Description	1st Stage		2nd Stage	
		Qty	Part #	Qty	Part #
1	Intake filter ass'y	1	51124-5600	N/A	N/A
2	cylinder head	1	52133-0101	1	52122-0101
3	lift limiter - discharge valve plate	4	51121-3102	2	51121-3102
4	valve seat	1	52133-2101	1	52122-2101
5	valve seat to head gasket	1	52133-2105	1	52122-2105
6	discharge valve plate	4	51121-2103	2	51121-2103
7	intake valve plate	1	52133-2103	1	52122-2103
8	valve seat to cylinder gasket	1	52133-2104	1	52122-2104
9	piston	1	52133-5101	1	51173--5201
10	piston pin c/w snap rings	1	52133-5112	1	51173-5212
11	piston pin bushing	N/A	N/A	1	52173-5208
12	connecting rod c/w dipper	1	52133-5120	1	52173-5220
13	connecting rod bearing (each)	2	51133-5109	2	51133-5109
14	cylinder	1	52133-4101	1	52173-4201
15	oil filler cap	1	51133-4719	N/A	N/A
16	cylinder to crankcase gasket	1	52133-4103	1	52133-4103
17	oil sight glass c/w gasket	1	51111-4770		
18	crankcase	1	52133-4701		
19	crankshaft	1	52133-4601		
20	front bearing	1	83501-6306		
21	rear bearing	1	83501-6306		
22	crankcase - rear bearing housing gskt	1	51133-4704		
23	rear bearing housing	1	51133-4703		
24	oil seal	1	51133-4708		
25	crankcase breather	1	51111-4761		
26	flywheel c/w fasteners	1	51133-6601		
27	front bearing housing	1	51133-4706		
28	crankcase - front bearing housing gasket	1	51133-4707		
29	connecting (interstage) tubing	1	52173-7710		
Misc.	1/4" street elbow (oil drain)	1	STREL1/4		
	Eagle oil (1 Litre or 34oz)	1	EAOIL10		

Item	Description	1st Stage		2nd Stage	
		Qty	Part #	Qty	Part #
A	intake filter element kit includes: - one (1) intake filter element	1	101000-310	N/A	N/A
B	valve repair kit includes: -valve seat to head gasket (item 5) -two(2) outlet valve plates (item 6) -intake valve plate (item 7) -six(6) valve plate screws -valve seat to cylinder gasket (item 8)	1	101000-195	1	101000-165
C	ring repair kit includes: -valve seat to head gasket (item 5) -valve seat to cylinder gasket (item 8) -two(2) compression rings -one(1) oil control ring -cylinder to crankcase gasket (item 16)	1	101000-295	1	101000-285
D	Valve Plate Assembly (Not shown)	1	52133-2100	1	52122-2100



1-800-551-2406

www.eaglecompressor.com