

PW

PRESSURE WASH REEL

Specially Designed for Pressure Wash Professionals

- Hannay PW Series quickly mount.
- Pressure rating up to 4000 psi.

Standard Features

- 12 and 16 gauge steel.
- Black powder coat finish.
- Adjustable split bearing brake assembly.
- Dual side bearing support.
- Flow rate of over 12 gpm @ 15 fps.
- Captive (4 sided) hose guide roller assembly.
- Universal mounting pattern (2.75" x 5") optional mounting kits.

Optional Mounting Kits & Accessories

PWK-400 – For wall mounting with the ability to pivot the reel. Includes pivoting platform, knob, and mounting hardware. (Mounting hole pattern: 2.75" x 2.75").

PWK-300 – For mounting to 1" round tubing.

PWK-301 – For mounting to 1-1/4" round tubing.

PWK-302 – For mounting to 1" square tubing.

PWK-303 – For mounting to 1-1/4" square tubing.

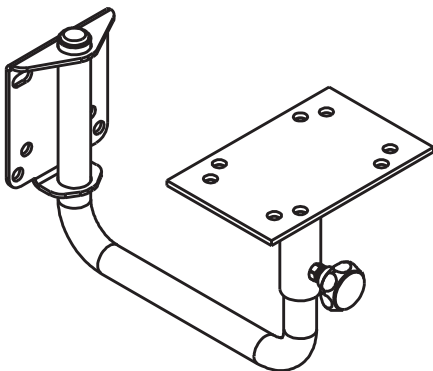
PWK-200 – For rigid (non-pivoting) wall mounting.

PWK-150 – For base (floor) mounting with the ability to pivot the reel. Includes pivoting platform, knob, and mounting hardware.

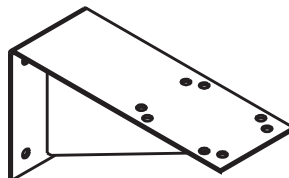
PWK-400/PWK-300 Combination Kit – For mounting to 1" round tubing providing the ability to still pivot the reel.

PWK-400/PWK-301 Combination Kit – For mounting to 1-1/4" round tubing providing the ability to still pivot the reel.

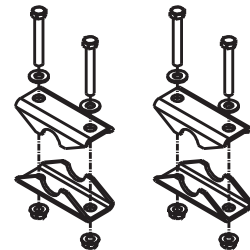
Mounting Kits



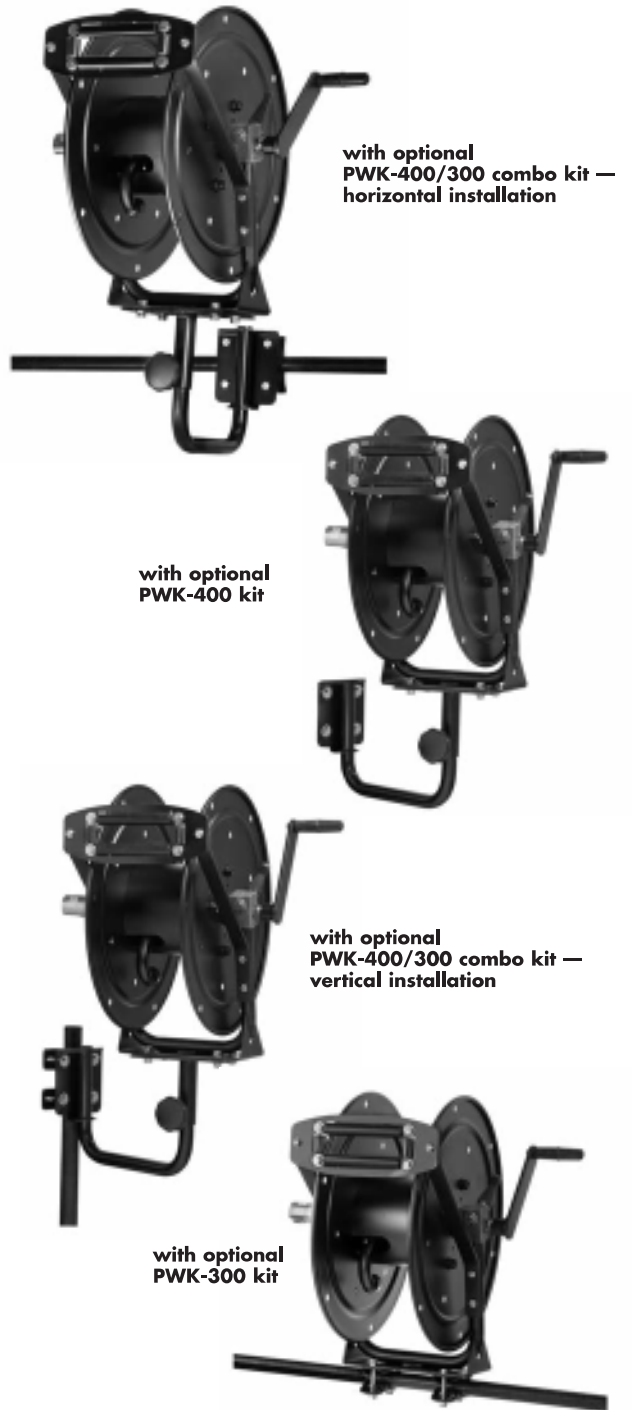
PWK-400
Wall mount with pivot



PWK-200
Wall mount



PWK-300
For Round tubing mount



with optional
PWK-400/300 combo kit —
horizontal installation

with optional
PWK-400 kit

with optional
PWK-400/300 combo kit —
vertical installation

with optional
PWK-300 kit



Shown with optional PWK-200 mounting kit

For:

- Pressure Washing
- Steam Cleaning
- Spray Operations
- Washdown

PW-2

MANUAL REWIND REEL

To handle single 3/8" or 1/2" I.D. hose.

- Lightweight, compact and versatile, the PW Series designed for mobile and portable pressure wash equipment.
- Permanent direct crank rewind .
- Adjustable split bearing brake assembly.
- Standard inlet full-flow swivel joint with 1/2" NPT fitting.
- Standard outlet 1/2" female NPT fitting supplied with 1/2" MNPT to 3/8" FNPT reducing bushing.
- Other sizes and/or threads can be furnished and must be specified.
- Pressures up to 4000 psi (276 bar).
- Product temperatures from +20°F to +400°F (-7°C to + 204°C).
- Consult factory for other temperatures.
- Specify mounting position when ordering mounting kits.
- Black powder coat finish.
- Stainless steel construction (and internals) available – consult factory.

Parts Drawing – ISO 193

Model Number	Hose Capacity of Reel			Approx. Weight			Reel Dimensions***										
	feet			Crank Rewind			inches										
	m.			lb.			mm.										
	I.D. (in)	3/8"	1/2"	NET	UPS/ FedEx	Fr.	A	B	C	D	E	F	G	H	X	Y	
	I.D. (mm)	10	13		SHIP	SHIP											
	O.D. (in)	3/4"	7/8"		Wt.	Wt.											
PW-2		125	75	26	58*	32	9	6	6	4.5	16.75	17	18.25	10	5	2.75	
		38	23	12	26	15	229	152	152	102	425	432	464	254	127	70	

Notes:

1. Specifications subject to change.
2. **Finish:** refer to Page 8.
3. **Be sure to check dimensions and weights prior to ordering.**

NOTICE: A Flexible Connector must be used between the inlet pipe and the inlet swivel joint.

* When shipped as a parcel package (via FedEx or UPS Ground).
 *** x,y indicate mounting holes.

