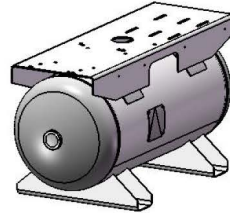


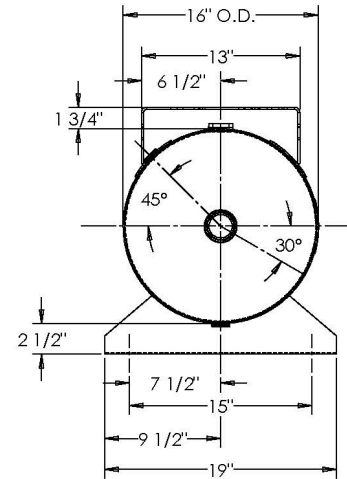
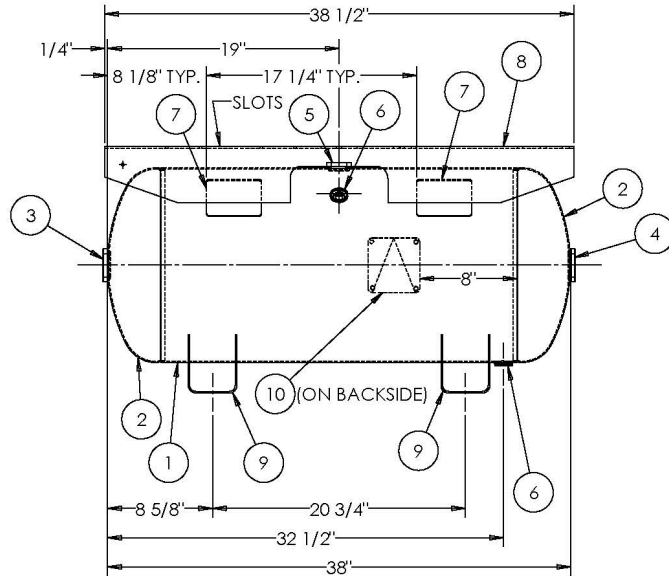
OMEGA COMPRESSORS

For us, it's not just business. It's personal.



APPROVED BY: _____ DATE: _____

ITEM NO.	PART NO.	DESCRIPTION	QTY.
3	F30315	1 1/2"-NPT 1500# FLAT FLANGE O-RING	1
4	F30315	1 1/2"-NPT 1500# FLAT FLANGE O-RING	1
5	F30263	1"-NPT 1500# RADIAL FLANGE	1
6	F31826	1/4"-NPT 1500# FLAT FLANGE	2
7	A54228	PAD 10GA X 4 1/2" X R8"	4
8	A96136	TOPPLATE	1
9	A95269	SADDLE	2
10	A20910	ASME DATA PLATE	1



NOTES:

SPECIFICATIONS

O.D. 16 LGTH. 38
 WT. 132 LBS.
 S.A. 14.1 SQ.FT.
 GAL. 30 CU.FT. 4 CRN: F2151.1C W
 CODE: ASME Section VIII, Div.1, LATEST EDITION & ADDENDA EXMT UG20(1) CORR ALW 0 SH 0 HD
 STD. TOLERANCES: M-2461 (UNLESS OTHERWISE NOTED) WELD DETAILS: M-1932

OMEGA COMPRESSORS

**HORIZONTAL AIR RECEIVER
 PAINTLINE PRODUCTS**

FILE LOCATION: O:\SolidWorks\3000\309266

CODE 2010/A- APPROVED DP
 RELEASED FOR PRODUCTION
 Q.C. _____ DATE _____

DRAWN BY: _____ DATE: _____

APPR. BY: _____ DATE: _____

SCALE: NONE

DRWG NO.
AR-H30G



ZONE	REV	BY	DESCRIPTION	DATE	APP.