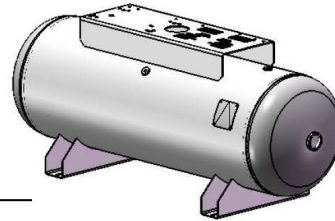


# OMEGA COMPRESSORS

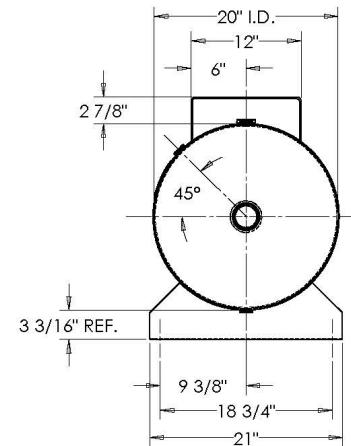
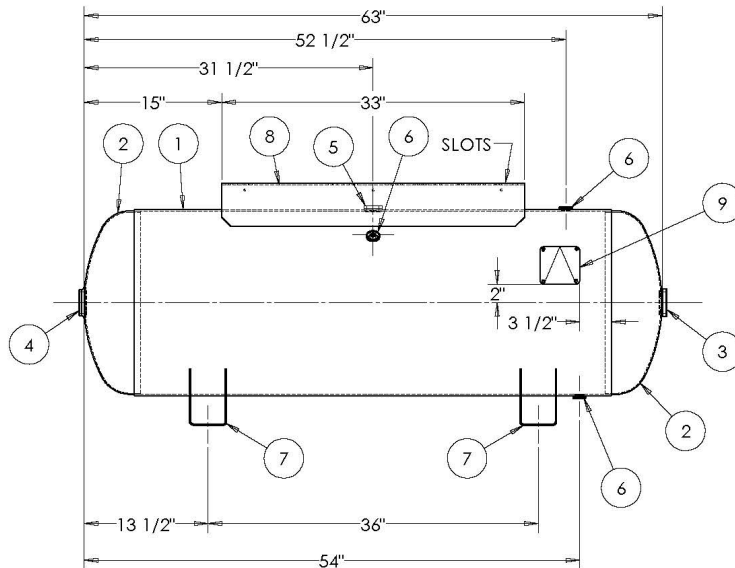
For us, it's not just business. It's personal.



APPROVED BY: \_\_\_\_\_ DATE: \_\_\_\_\_

ITEM NO.	PART NO.	DESCRIPTION	QTY.
3	F30316	2"-NPT 1500# FLAT FLANGE O-RING	1
4	F10440	2"-NPT 1500# FLAT FLANGE	1
5	F30263	1"-NPT 1500# RADIAL FLANGE	1
6	F31826	1/4"-NPT 1500# FLAT FLANGE	3
7	A89653	SADDLE	2
8	A96066	TOPPLATE	1
9	A20910	ASME DATA PLATE	1

FITTING #3 SHIPPED WITH O-RING AND STEEL PLUG  
ALL OTHER FITTINGS SHIPPED WITH PLASTIC PLUGS



NOTES:	SPECIFICATIONS	OMEGA COMPRESSORS	
CODE 2010/2011a APPROVED DP RELEASED FOR PRODUCTION Q.C. _____ DATE _____	I.D. 20 LGTH. 63 WT. 257 LBS. S.A. 29.2 SQ.FT. GAL. 80 CU.FT. 10.8 CRN: E7399.2C CODE: ASME Section VIII, Div.1, LATEST EDITION & ADDENDA EXMT UG20(f) CORR ALW 0 SH 0 HD STD. TOLERANCES: M-2461 (UNLESS OTHERWISE NOTED)	MAWP 200 PSI @ 400°F	
		HORIZONTAL AIR RECEIVER PAINTLINE PRODUCTS	
		FILE LOCATION: O:\SolidWorks\3000\309275	
		DRAWN BY:	DATE:
		APPR. BY:	DATE:
		SCALE: NONE	DRWG. NO. AR-H80