

OMEGA COMPRESSORS

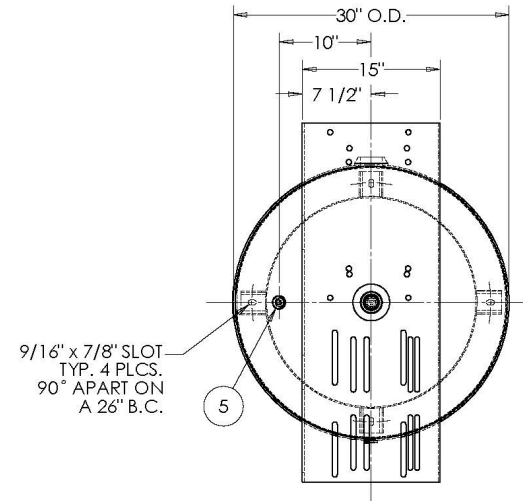
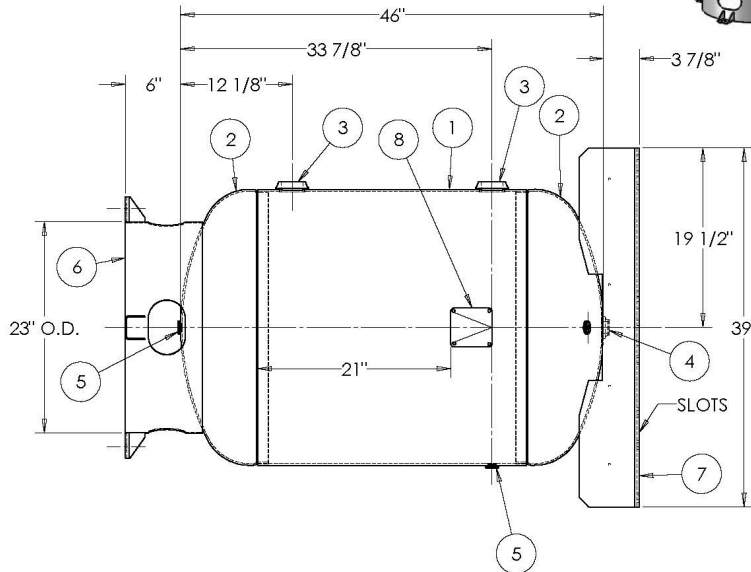
For us, it's not just business. It's personal.

ALL FITTINGS SHIPPED WITH PLASTIC PLUGS.

APPROVED BY: _____ DATE: _____



ITEM NO.	PART NO.	DESCRIPTION	QTY.
1	309267-SL	SHELL LAYOUT FOR 30' TANK	1
2	H32041	.186 MIN. 30" O.D. 2:1 ELLIP. HEAD JOG.	2
3	F12440	2"-NPT 1500# RADIAL FLANGE	2
4	F10370	1"-NPT 1500# FLAT FLANGE	1
5	F31826	1/4"-NPT 1500# FLAT FLANGE	3
6	A96182	BASERING ASY	1
7	A96179	TOPPLATE	1
8	A20910	ASME DATA PLATE	1



NOTES:

CODE 2010/A- APPROVED DP
RELEASED FOR PRODUCTION
Q.C. _____ DATE _____

SPECIFICATIONS

O.D. 30 LGTH. 46
WT. 404 LBS.
S.A. 33 SQ.FT.
GAL. 120 CU.FT. 16.2 CRN: F0628.1C
CODE: ASME Section VIII, Div.1, LATEST EDITION & ADDENDA EXMT UG20(f) CORR ALW 0 SH 0 HD
STD. TOLERANCES: M-2461 (UNLESS OTHERWISE NOTED)

MAWP 200 PSI @ 400°F
W
WELD DETAILS: M-1932

OMEGA COMPRESSORS
VERTICAL AIR RECEIVER
PAINTLINE PRODUCTS

FILE LOCATION: O:\SolidWorks\3000\309267

DRAWN BY: _____ DATE: _____

APPR. BY: _____ DATE: _____

SCALE: NONE DRWG NO. **AR-V120**



ZONE	REV.	BY	DESCRIPTION	DATE	APP.