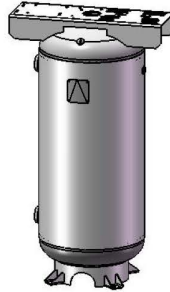


OMEGA COMPRESSORS

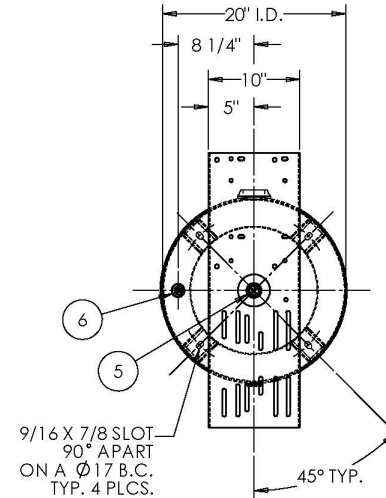
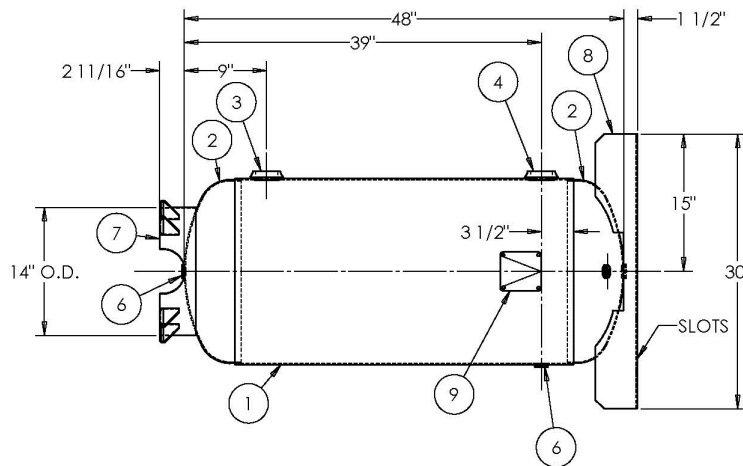
For us, it's not just business. It's personal.

FITTING #3 SHIPPED WITH CAST IRON PLUG.
ALL OTHER FITTINGS SHIPPED WITH PLASTIC PLUGS.



APPROVED BY: _____ DATE: _____

ITEM NO.	PART NO.	DESCRIPTION	QTY.
3	F12440	2"-NPT 1500# RADIAL FLANGE	1
4	F12440	2"-NPT 1500# RADIAL FLANGE	1
5	F31840	3/4"-NPT 1500# FLAT FLANGE	1
6	F31826	1/4"-NPT 1500# FLAT FLANGE	3
7	A73116	BASERING ASY	1
8	A96150	TOPPLATE	1
9	A20910	ASME DATA PLATE	1



NOTES:

CODE 2010/A- APPROVED DP
RELEASED FOR PRODUCTION
Q.C. _____ DATE _____



SPECIFICATIONS

I.D. 20 LGTH. 48 MAWP 200 PSI @ 400°F
 WT. 180 LBS.
 S.A. 22.6 SQ.FT.
 GAL. 60 CU.FT. 8.1 CRN: E7399.2C W
 CODE: ASME Section VIII, Div.1, LATEST EDITION & ADDENDA EXMT UG20(f) CORR ALW 0 SH 0 HD
 STD. TOLERANCES: M-2461 (UNLESS OTHERWISE NOTED) WELD DETAILS: M-1932

OMEGA COMPRESSORS

**VERTICAL AIR RECEIVER
PAINTLINE PRODUCTS**

FILE LOCATION: O:\SolidWorks\3000\309265

DRAWN BY:

DATE:

APPR. BY:

DATE:

SCALE:

NONE

DRWG NO.

AR-V60

ZONE	REV.	BY	DESCRIPTION	DATE	APP.